



## Safety Note!

Before using, read carefully and store in a safe location.



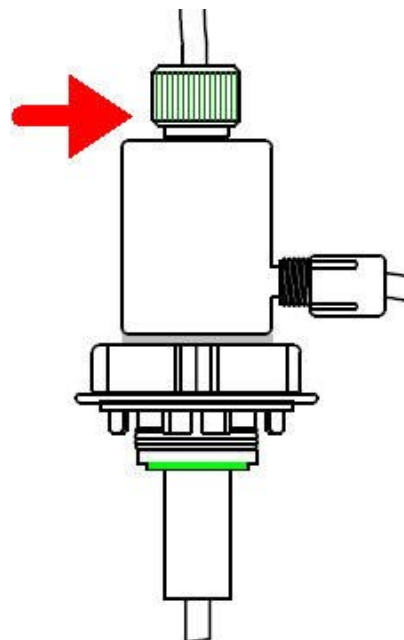
# QC-S Liquid Chemical Sampling Unit

Order Number: DH1-SK-PE-000-1/4"-P

Discontinue pumping when Lab bottle is approximately 75% filled, or filling mark on the bottle is reached. Overfilling will result in the liquid entering the pump cylinder and might require the pump to be opened for cleaning. There is a danger of chemical leaks from the cylinder housing and the piston rod if overfilling becomes a frequent event.



When changing the suction hose, make sure that the hose end on the QC-1 dispense head is pulled out slowly. A "click point" inside the suction hose clamp indicates that only a few centimetres of the hose length is to follow. This prevents residual liquid at the end of the tubing that drips.



AS Strömungstechnik GmbH | hagäckerstr. 28 | 73760 ostfildern | germany  
tel.: +49 (0) 711 220 548-0 | fax: +49 (0) 711 220 548-29 | e-mail: info@asstroemungstechnik.de  
www.asstroemungstechnik.de | DIN-certified ISO 9001:2008 | district court stuttgart HRB 224744  
managing director: andreas szeteli, michael szeteli, thomas raißer



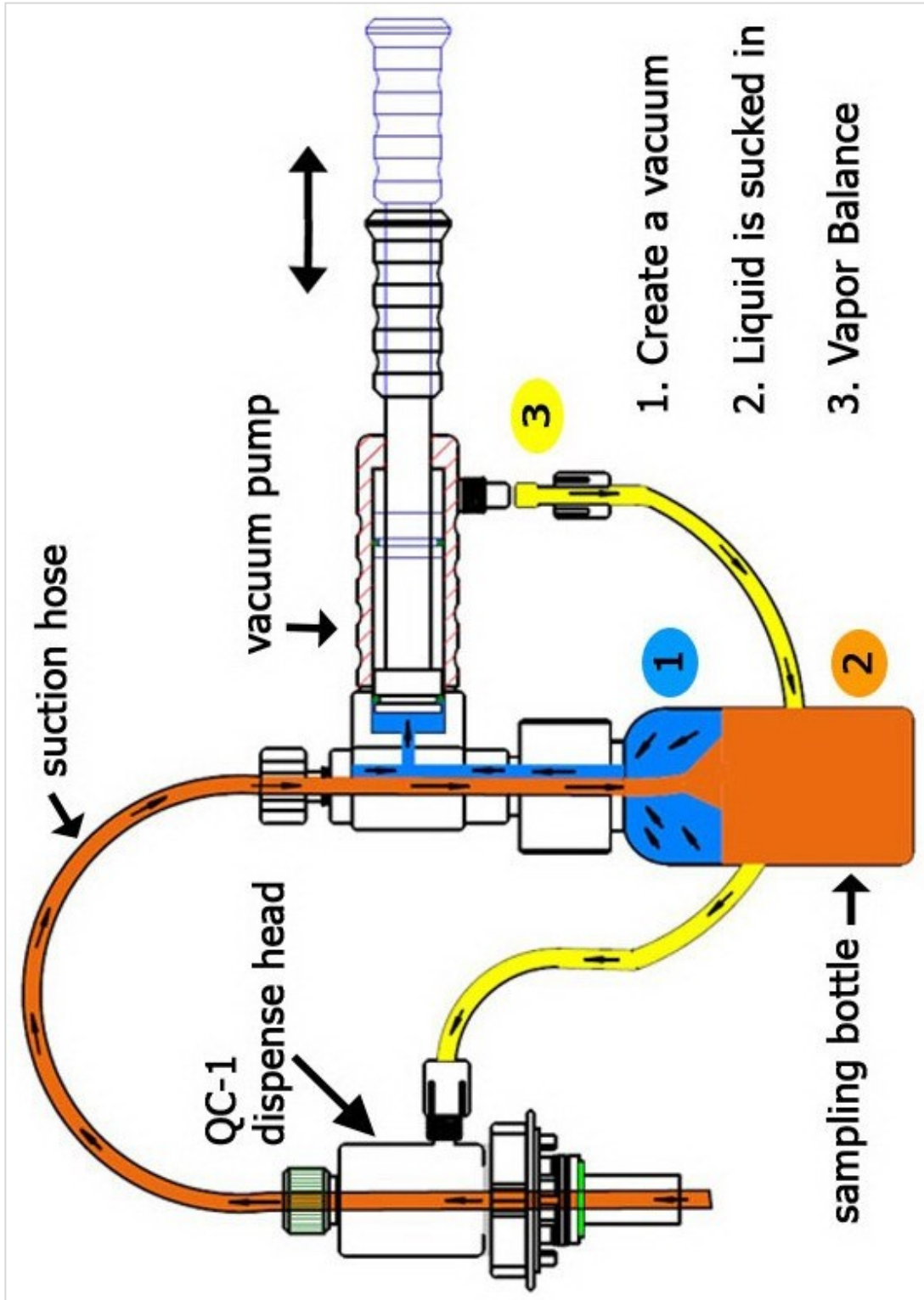
## Mode of Operation

Before using, read carefully and store in a safe location.



### QC-S Liquid Chemical Sampling Unit

Vacuum Pump & QC-1 Dispense Head / Article No. DH1-SF-PE-000-1/4“-P



AS Strömungstechnik GmbH | hagäckerstr. 28 | 73760 ostfildern | germany  
tel.: +49 (0) 711 220 548-0 | fax: +49 (0) 711 220 548-29 | e-mail: info@asstroemungstechnik.de  
www.asstroemungstechnik.de | DIN-certified ISO 9001:2008 | district court stuttgart HRB 224744  
managing director: andreas szeteli, michael szeteli, thomas raifßer

